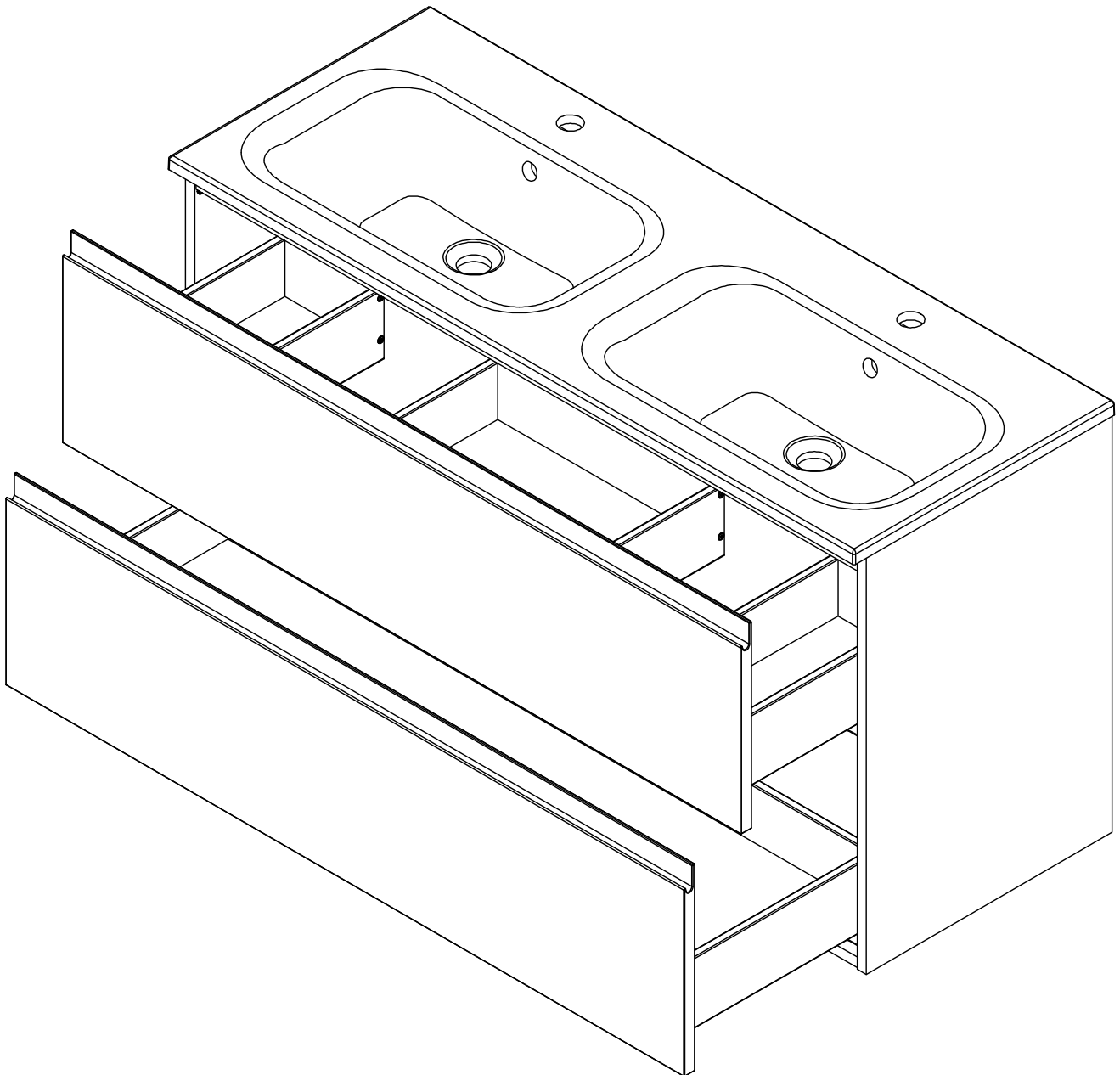


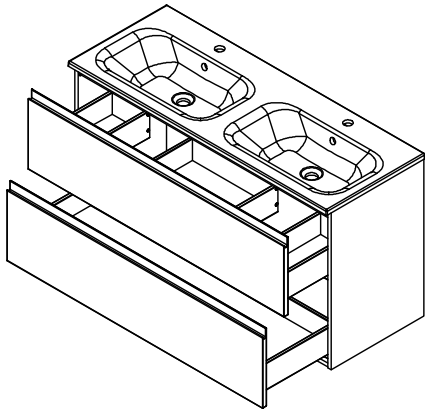
kvik 

SV12229/BSC02



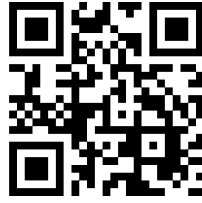
Mounting of your Bath furniture



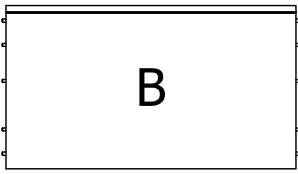


kvik

SV12229/BSC02

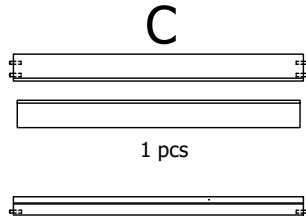


Mounting of your Bath furniture



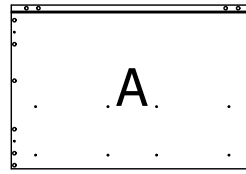
B

1 pcs



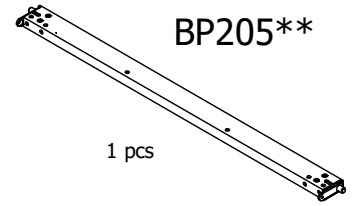
C

1 pcs



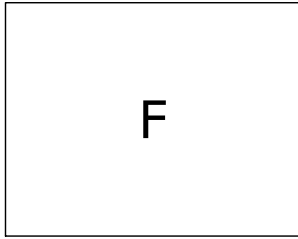
A

2 pcs



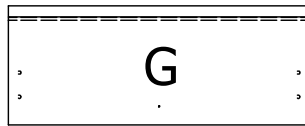
BP205**

1 pcs



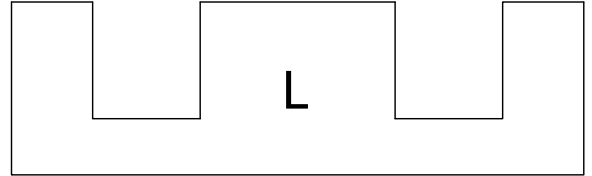
F

1 pcs



G

2 pcs



L

1 pcs



V

1 pcs



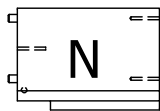
P

2 pcs



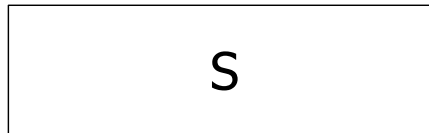
K

2 pcs



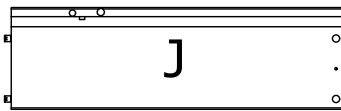
N

1 pcs



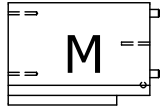
S

1 pcs



J

2 pcs



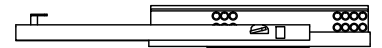
M

1 pcs



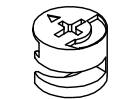
R

1 pcs

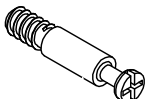


Drawer slide L/R

2 pcs



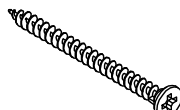
Fitting house
Ø15x11,7 mm
4 pcs



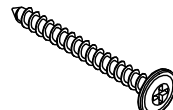
Fitting bolt
Ø5/11x24
4 pcs



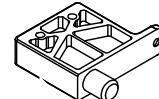
Screw flh
3,5x15 mm
14 pcs



Screw flh
3,5x45 mm
2 pcs



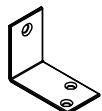
Washerhead Screw
PZ2 Ø4x40 Ø8
12 pcs



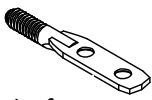
BP01905
30,5x30,5 m/ Ø8
2 pcs



Glue
1 pcs



BP00250
2 pcs



Leaf screw
Ø5,2x50 mm
2 pcs



Washerhead Screw
PZ2 Ø3x20 Ø8
3 pcs



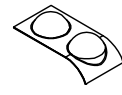
Screw flh
3,5x10mm
4 pcs



Euro screw
6,3x11 mm
8 pcs



Euro screw
Ø4,2x9,5
4 pcs



Bumper
2 pcs

FIG.
AA

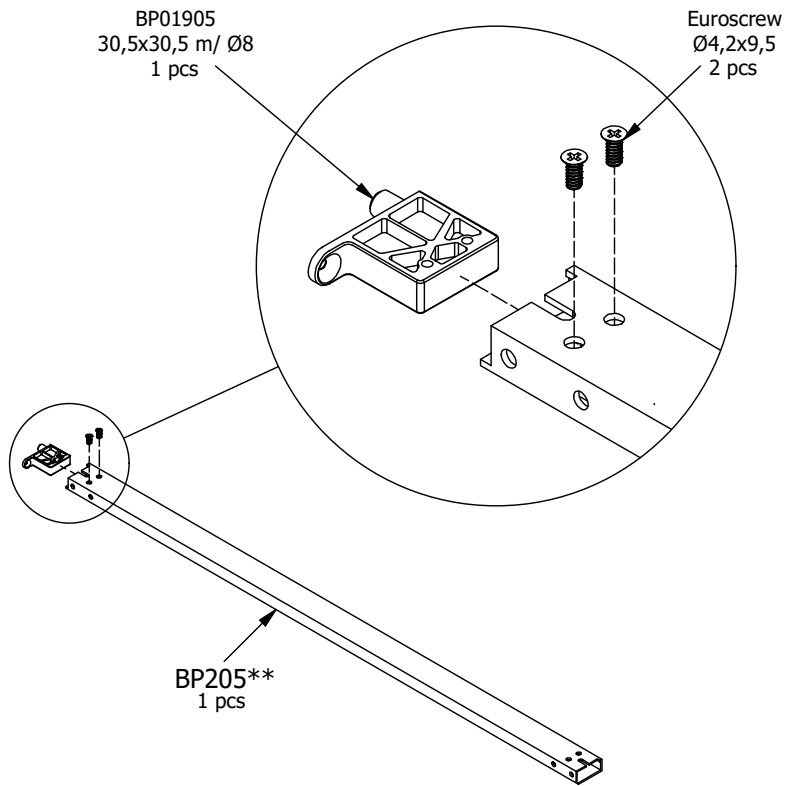


FIG.
AB

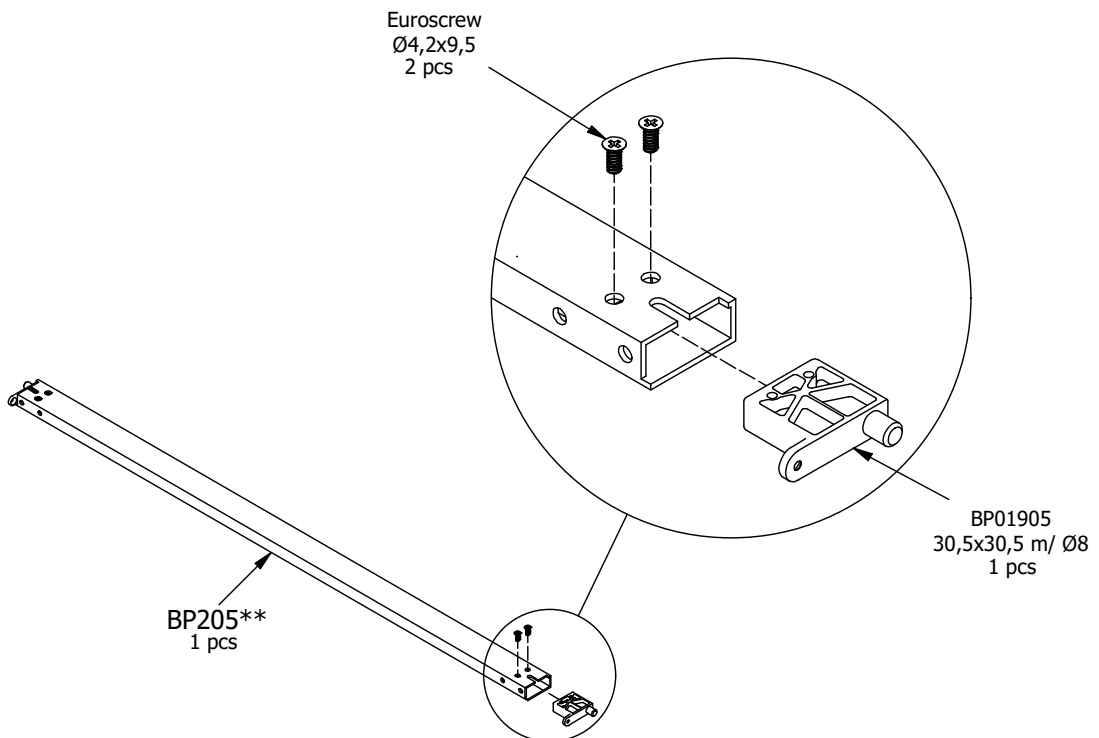


FIG. 1

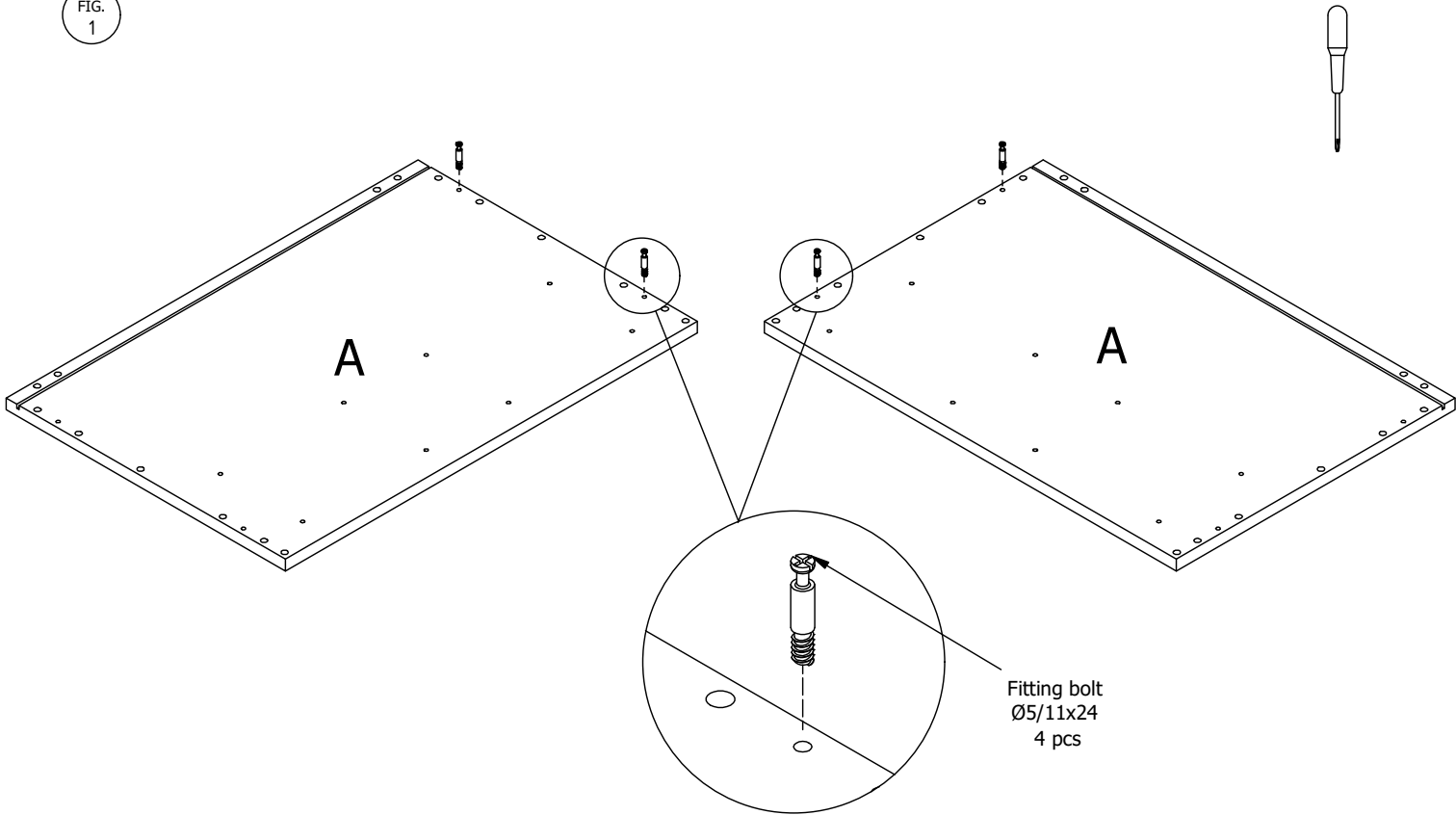


FIG. 2

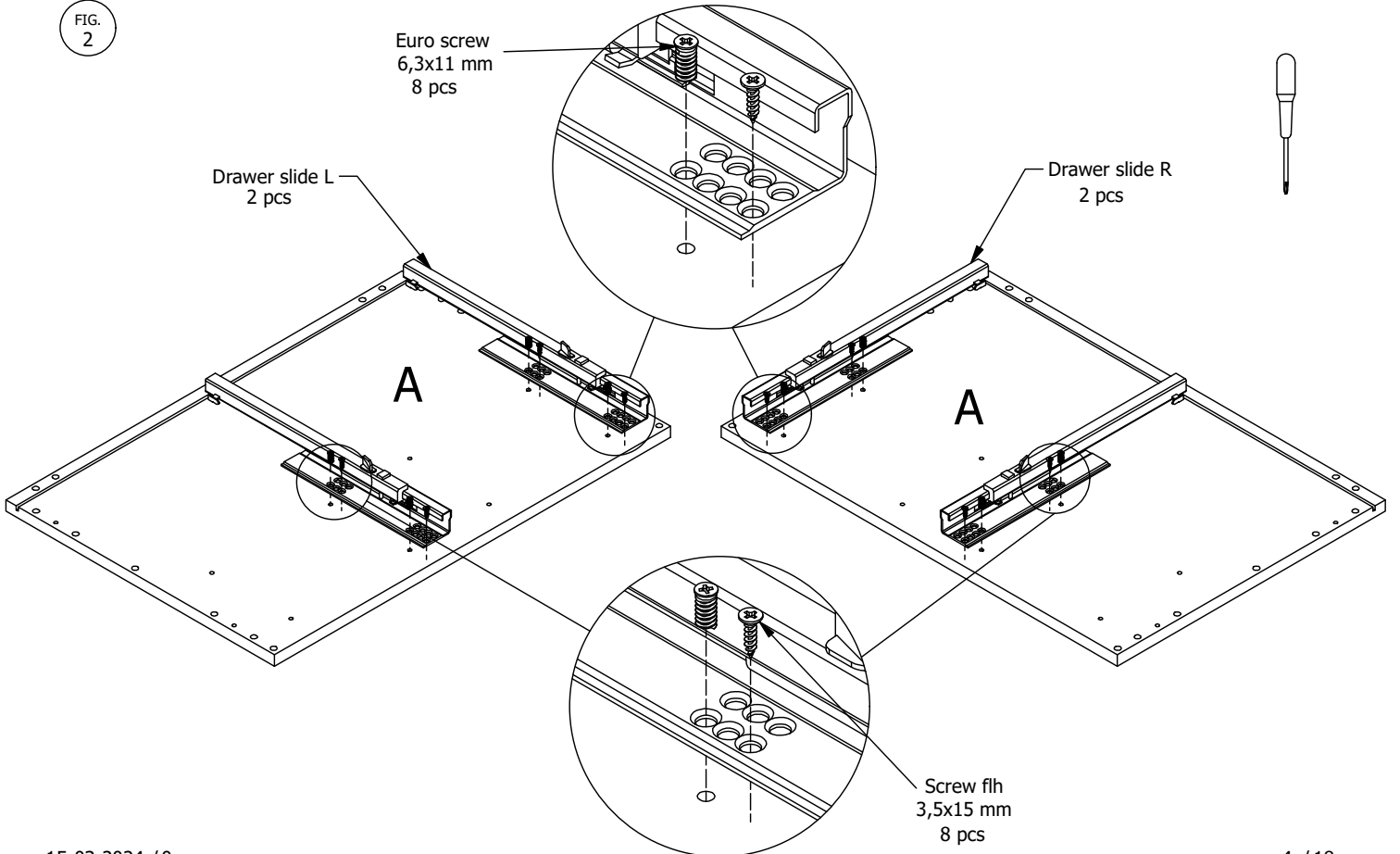


FIG. 3

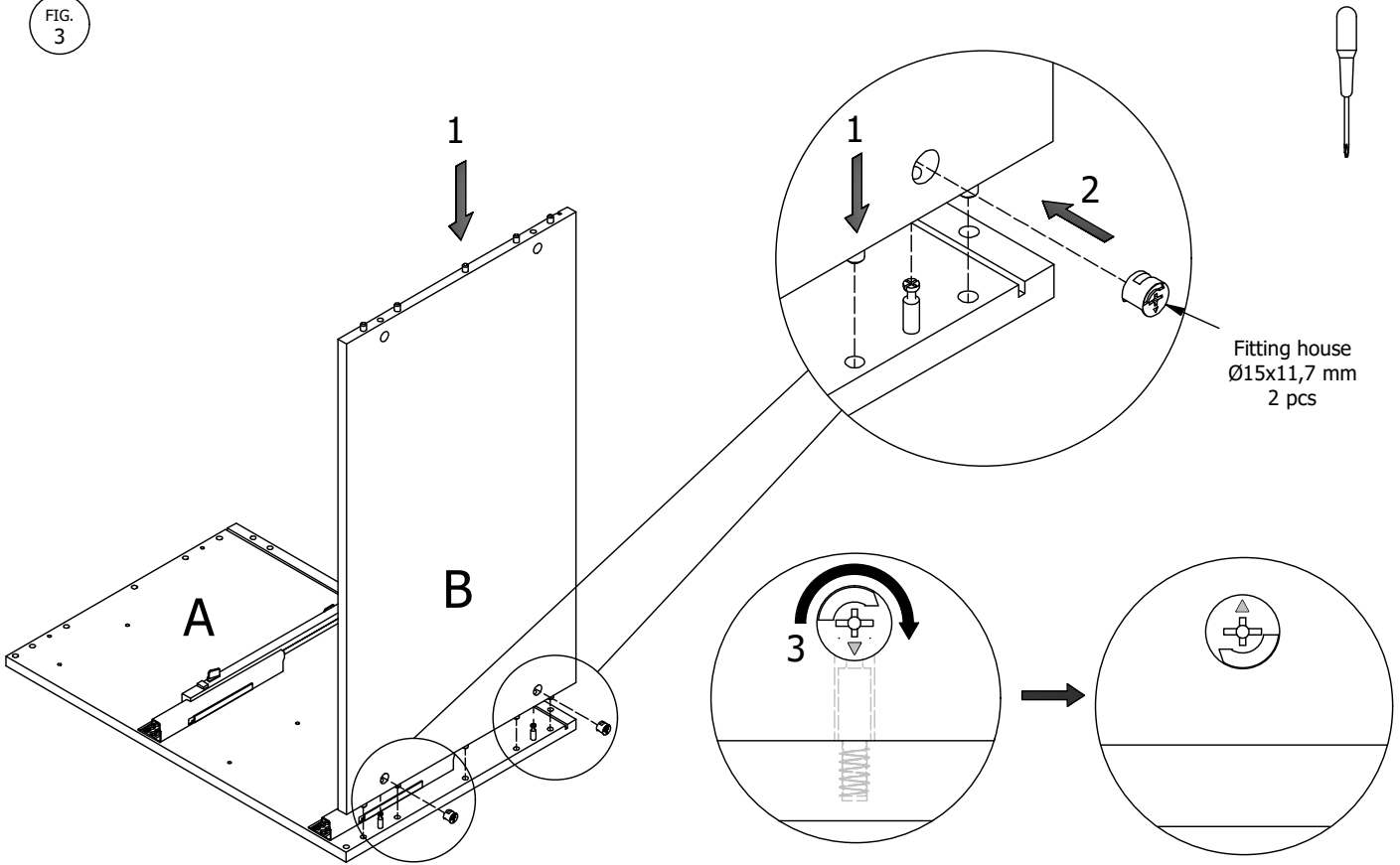


FIG. 4

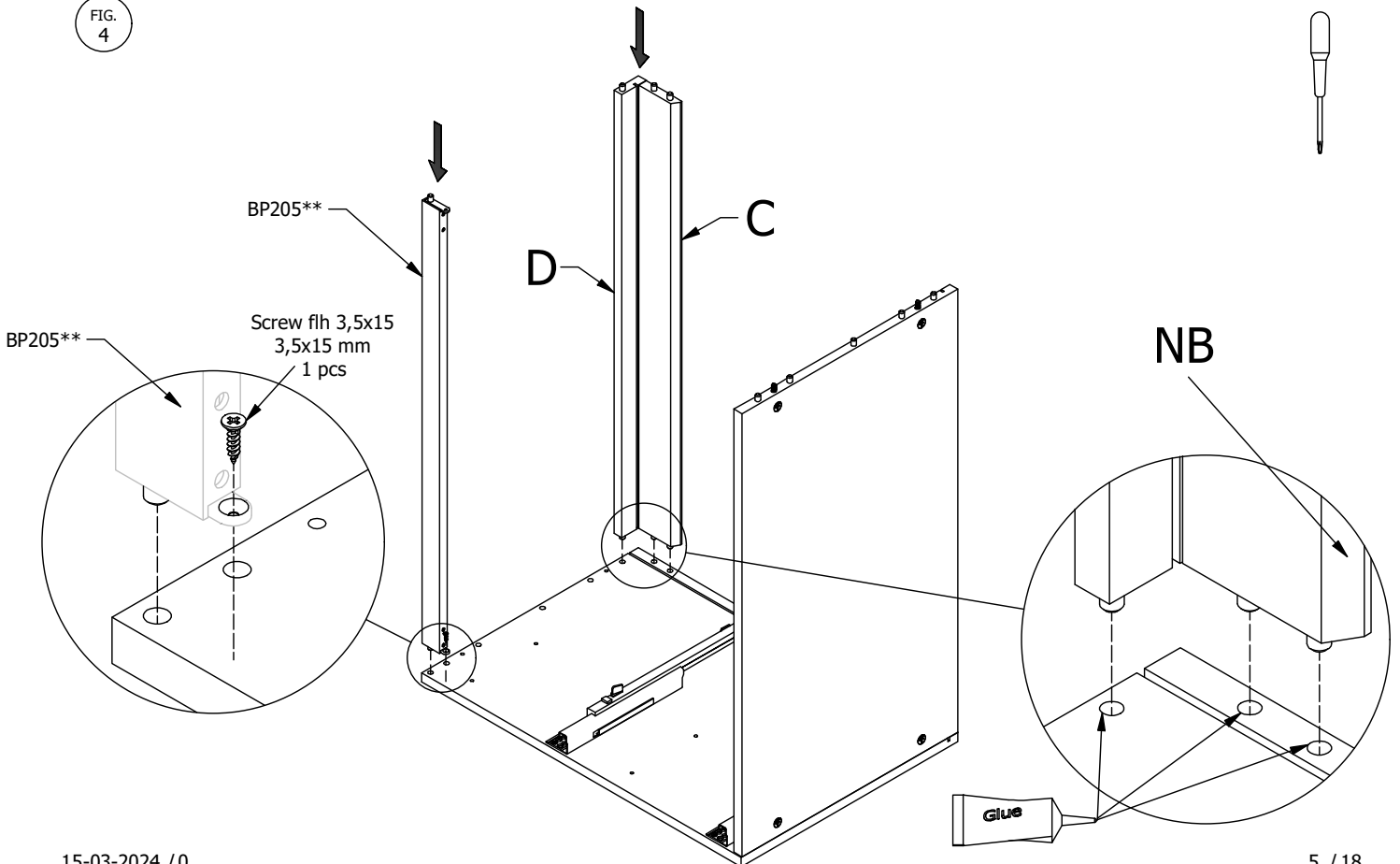


FIG. 5

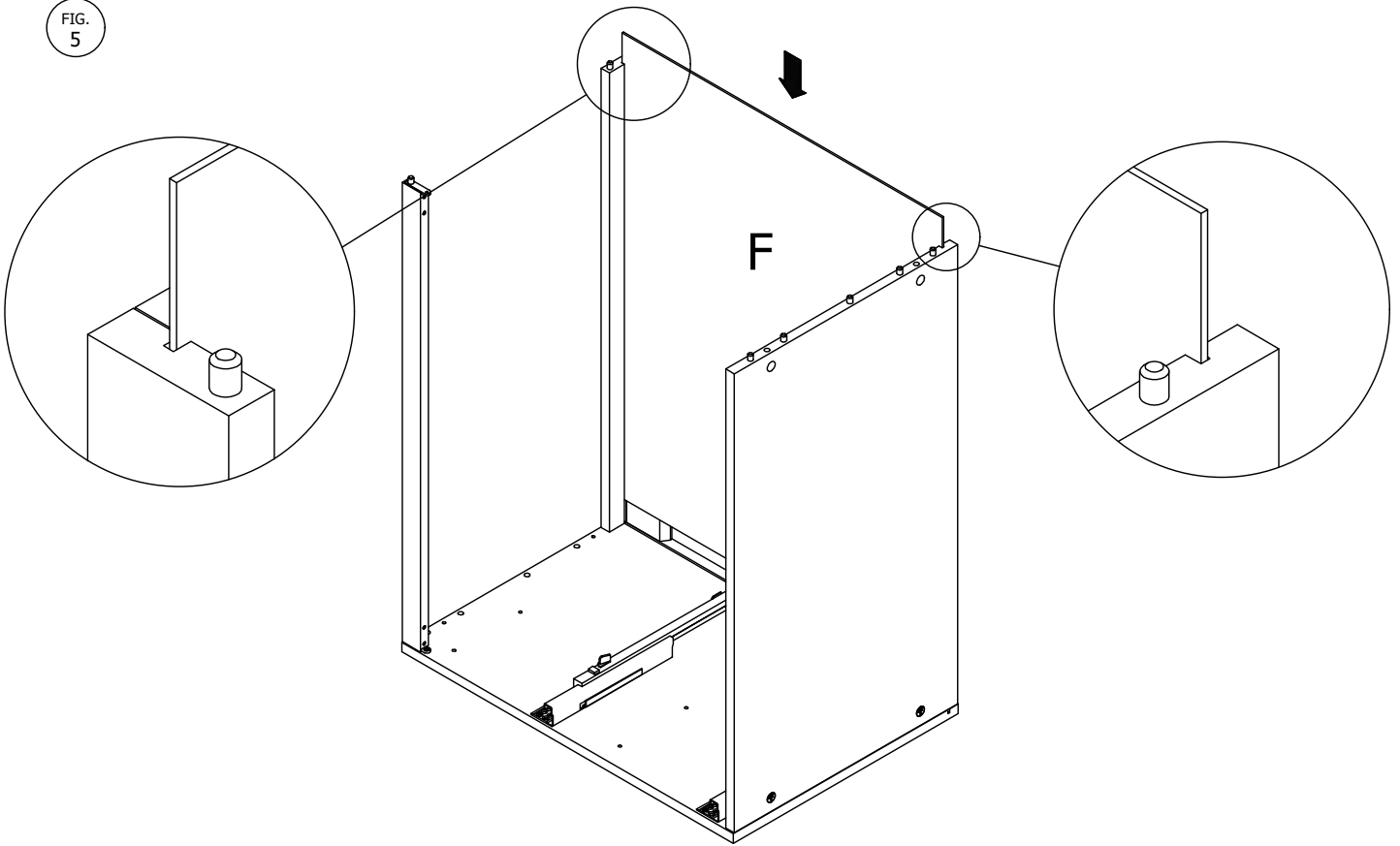


FIG. 6

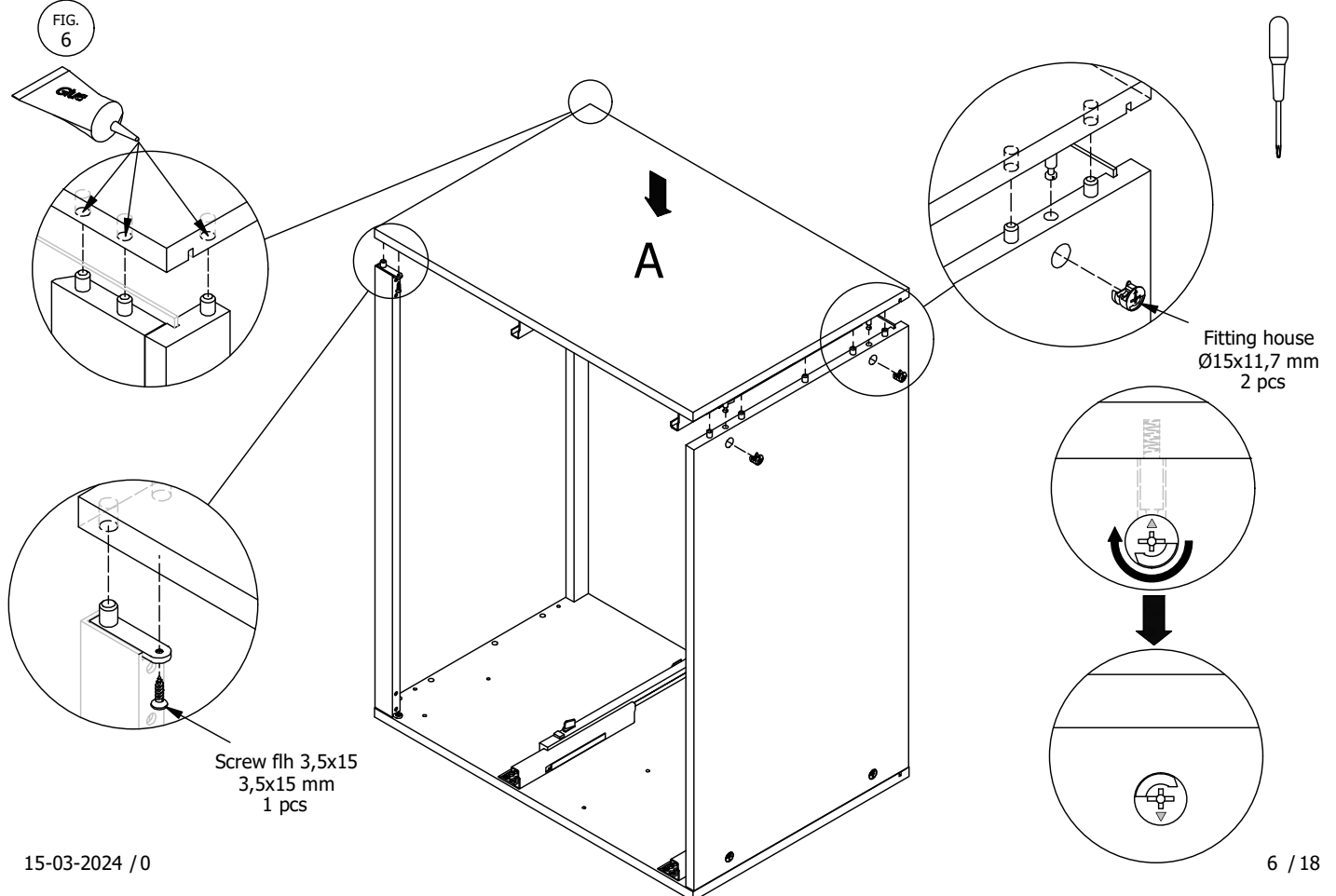


FIG. 7

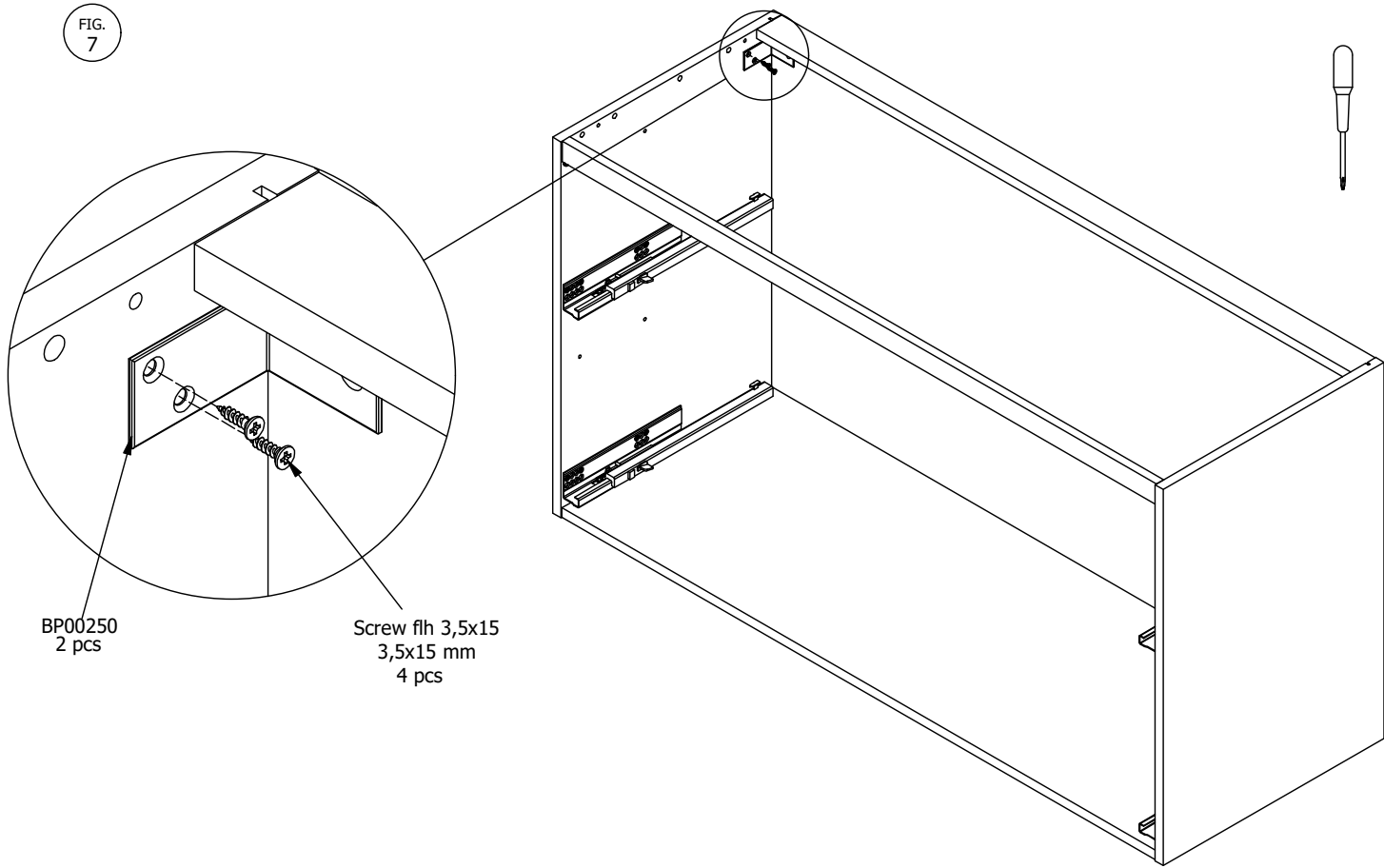


FIG. 8

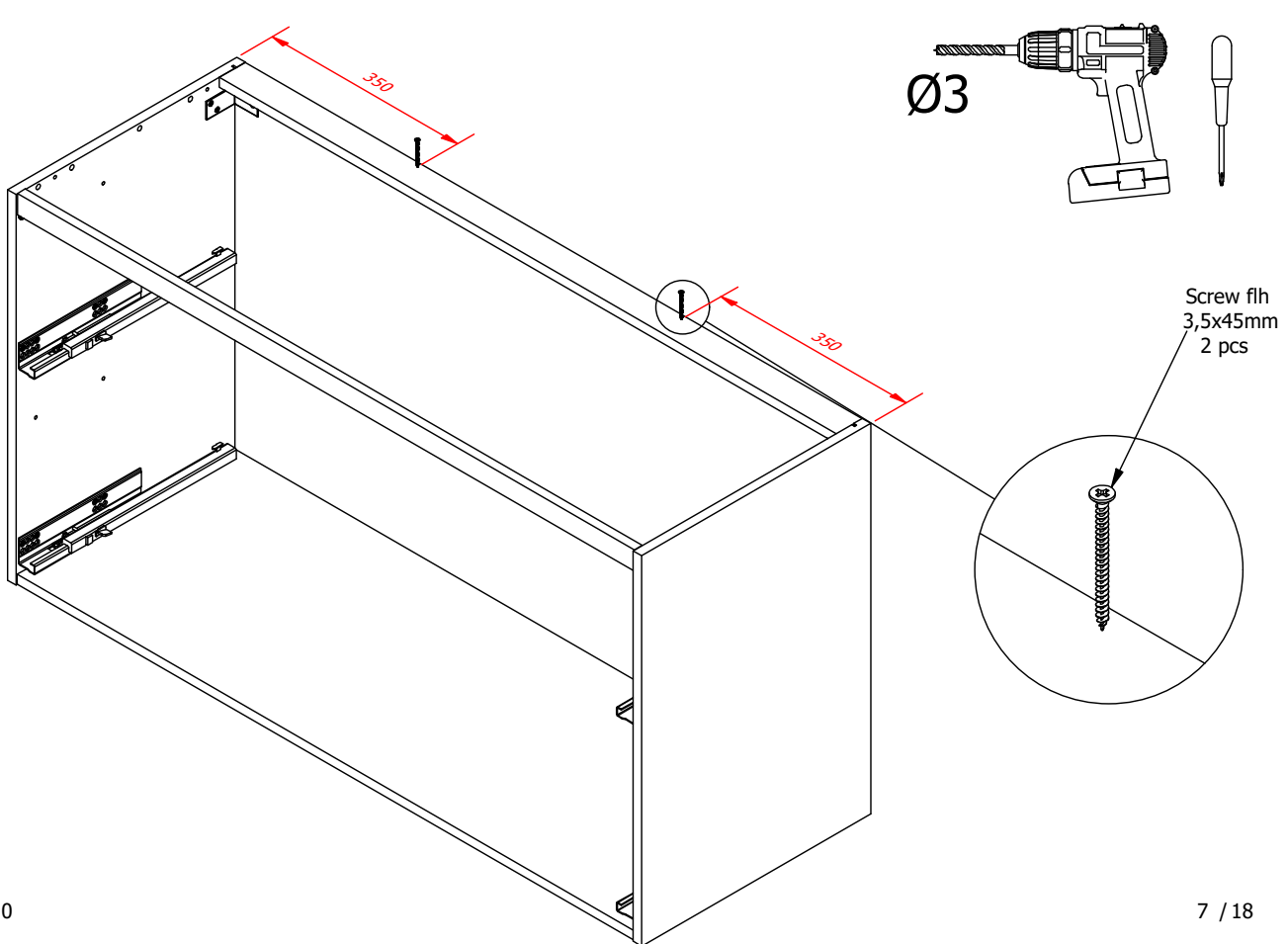


FIG. 9

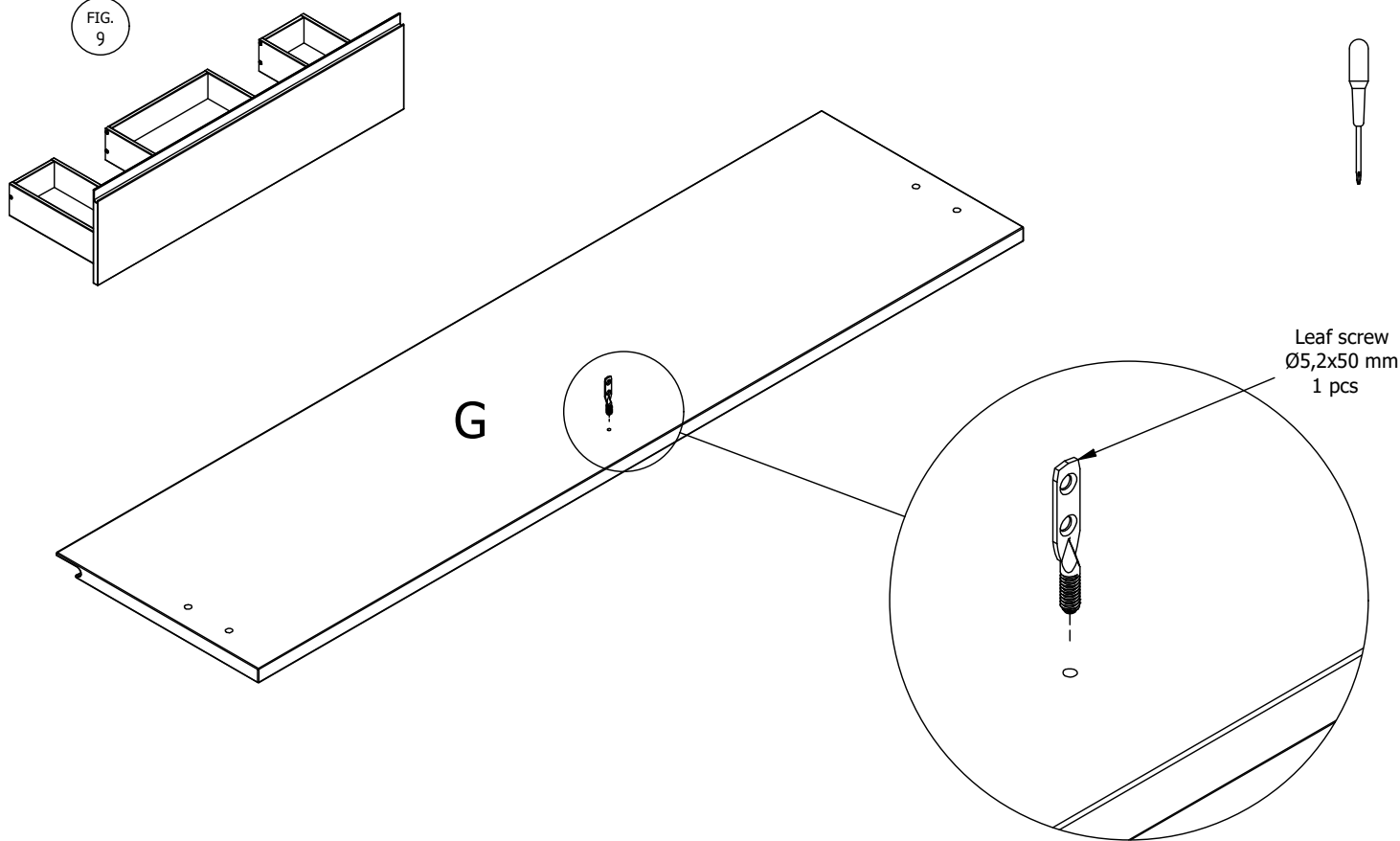


FIG. 10

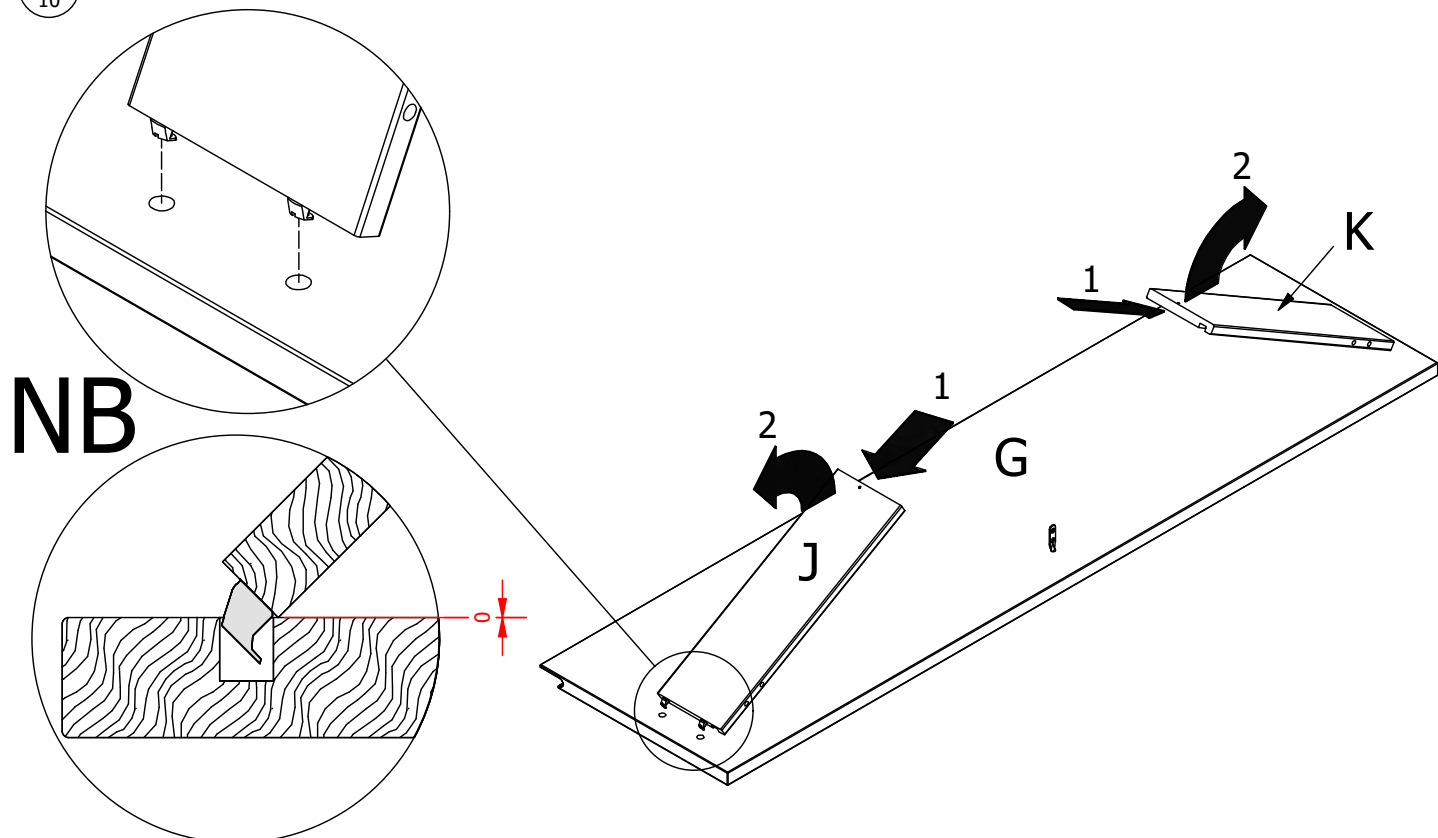


FIG. 11

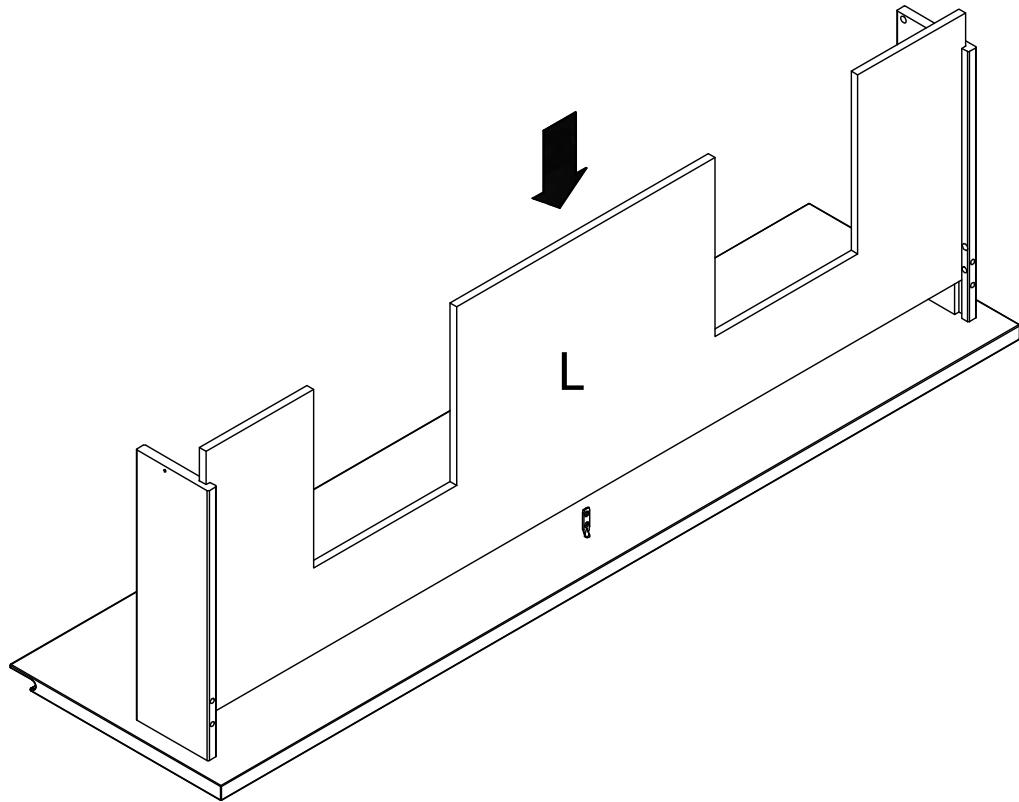


FIG. 12

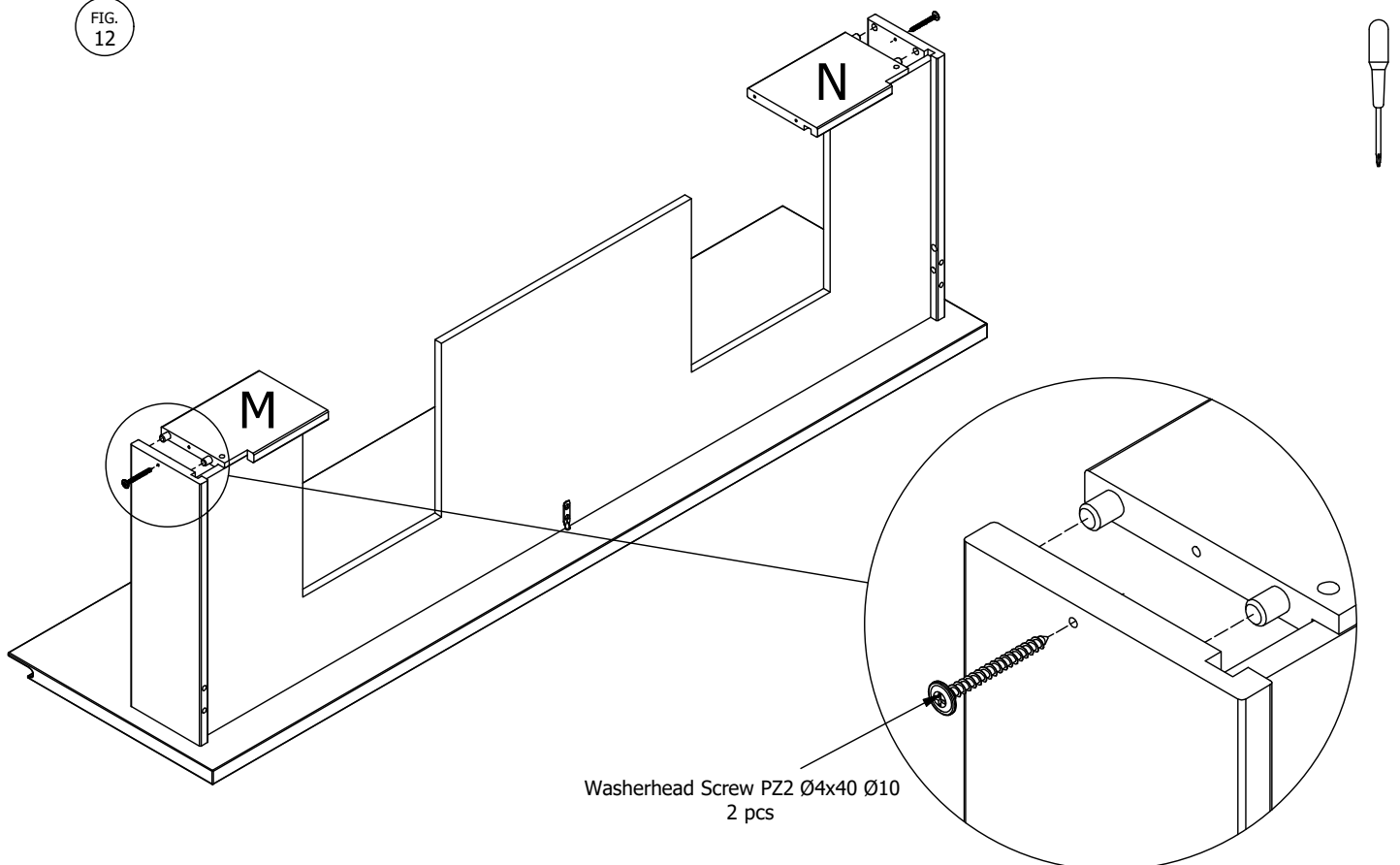


FIG. 13

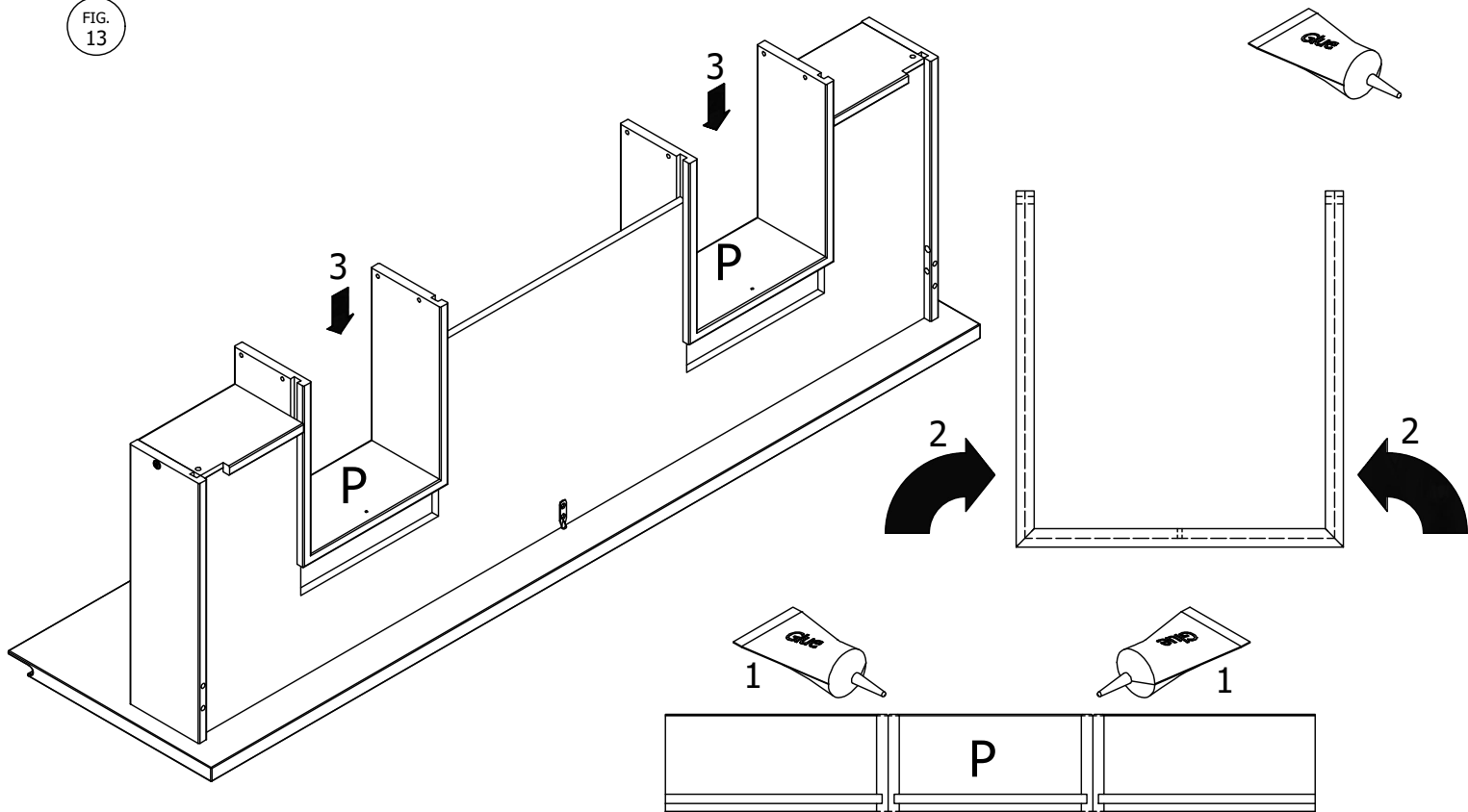


Fig 14

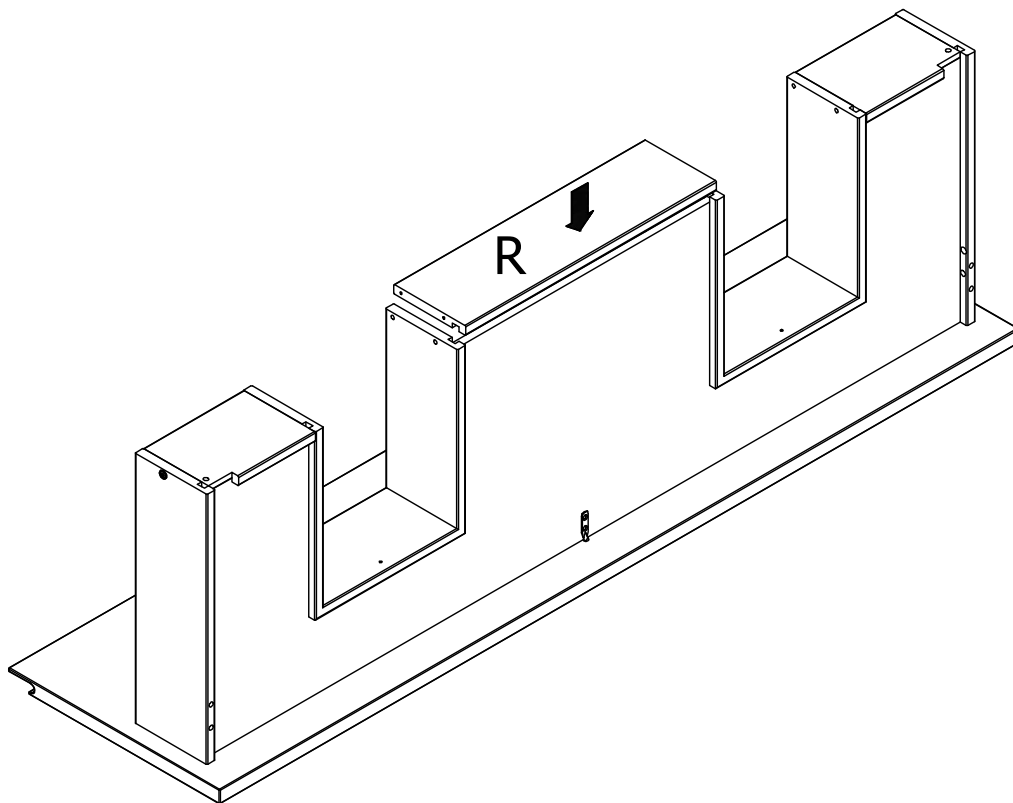


Fig 15

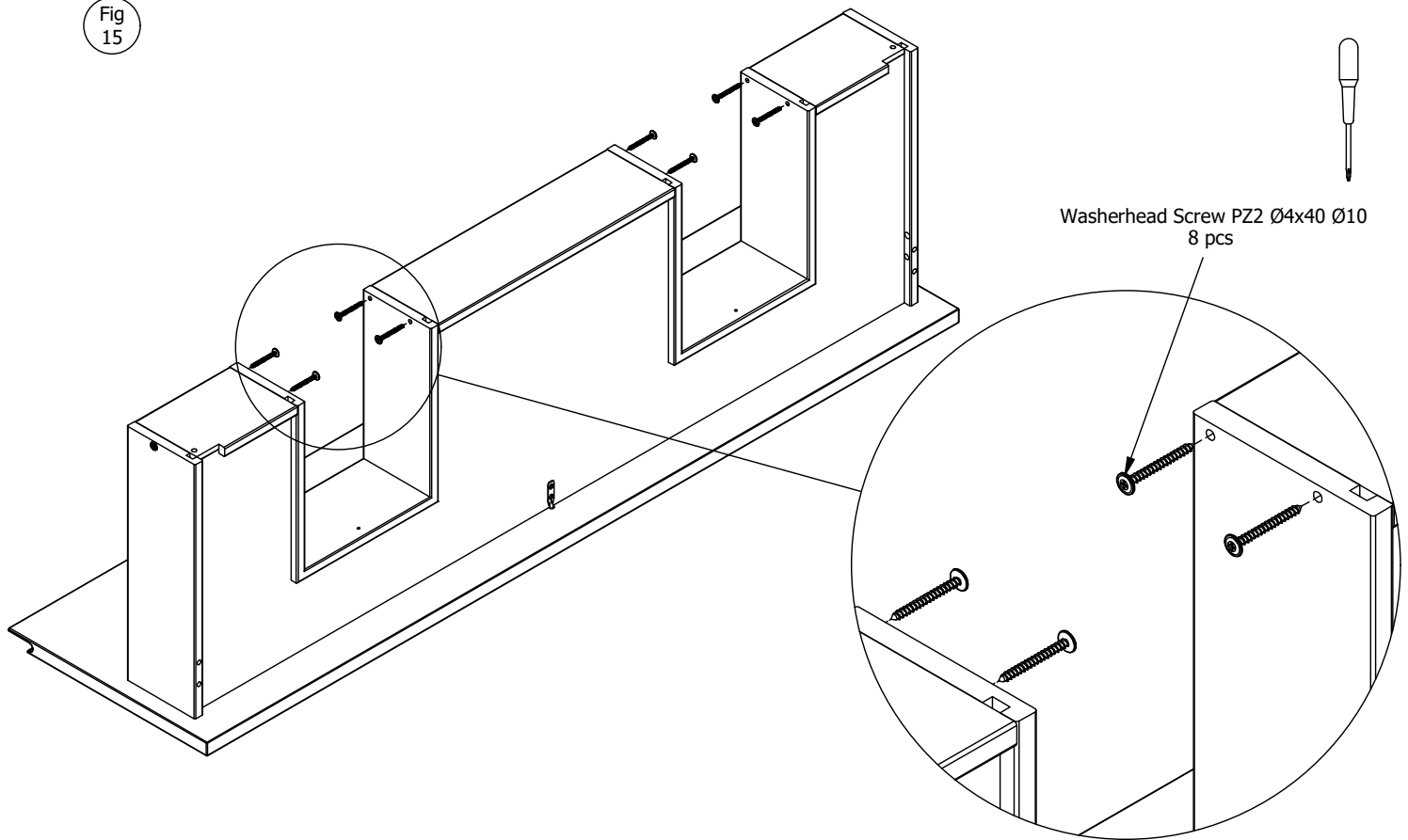


Fig 16

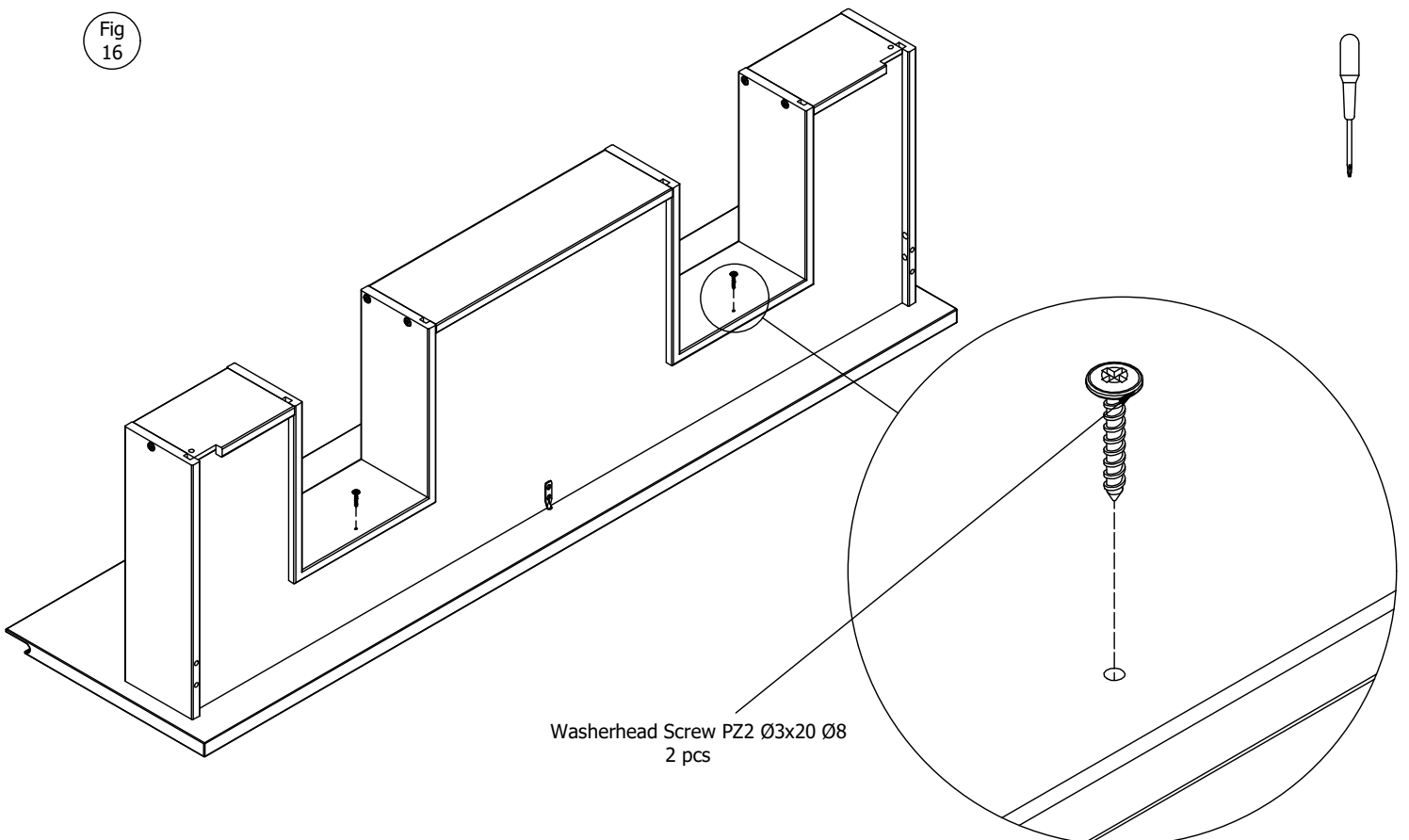


Fig 17

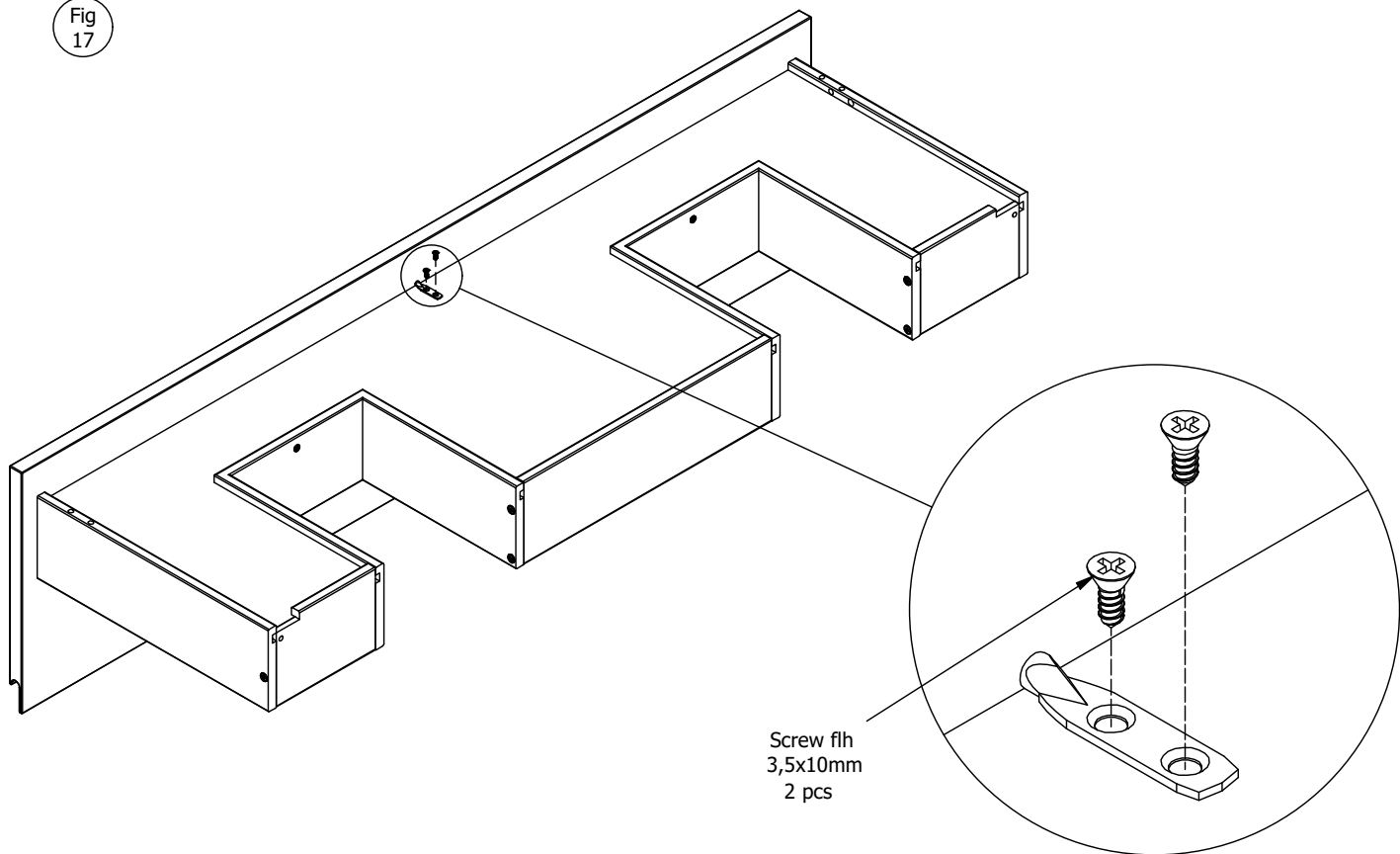


Fig 18

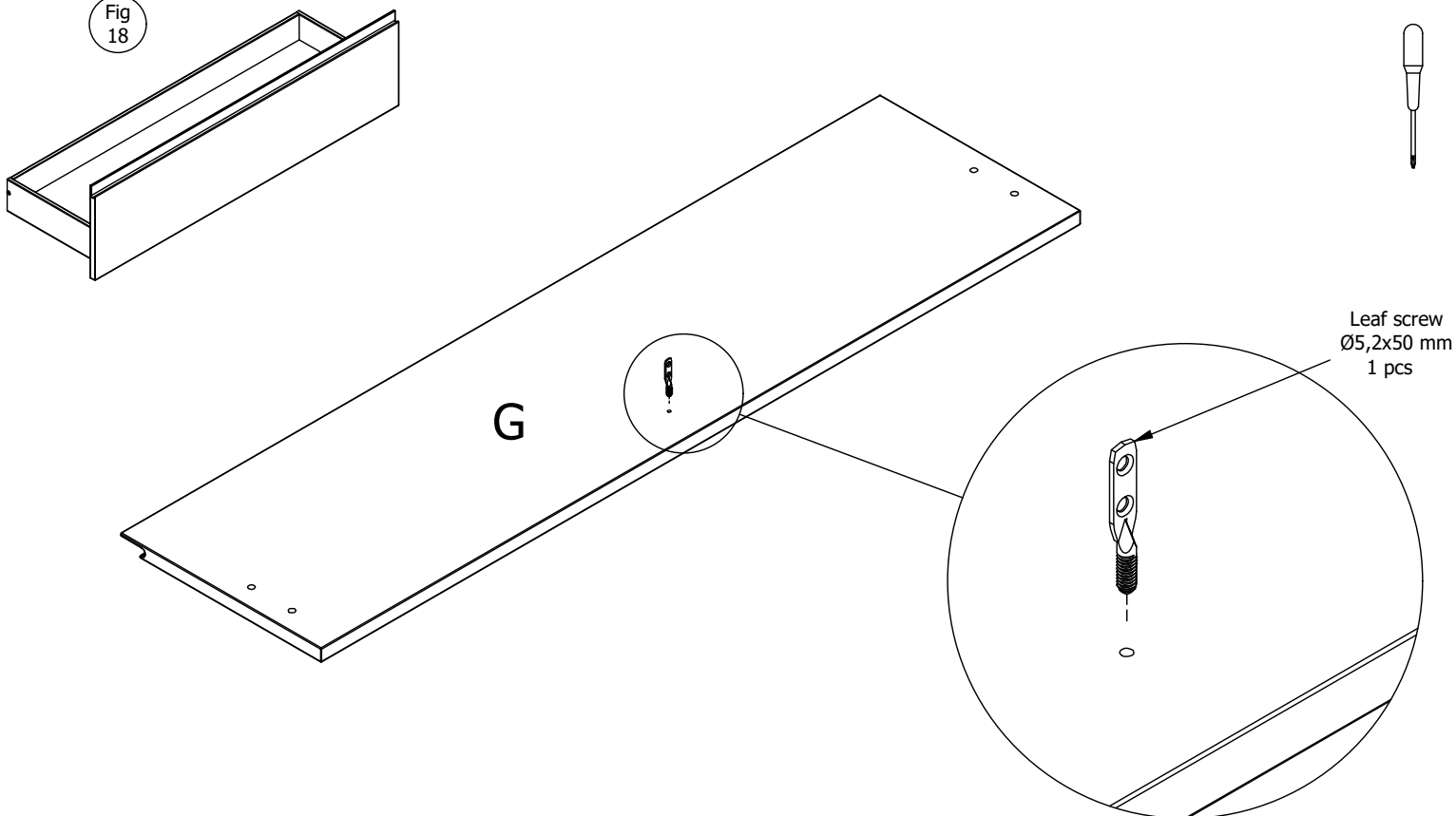


Fig 19

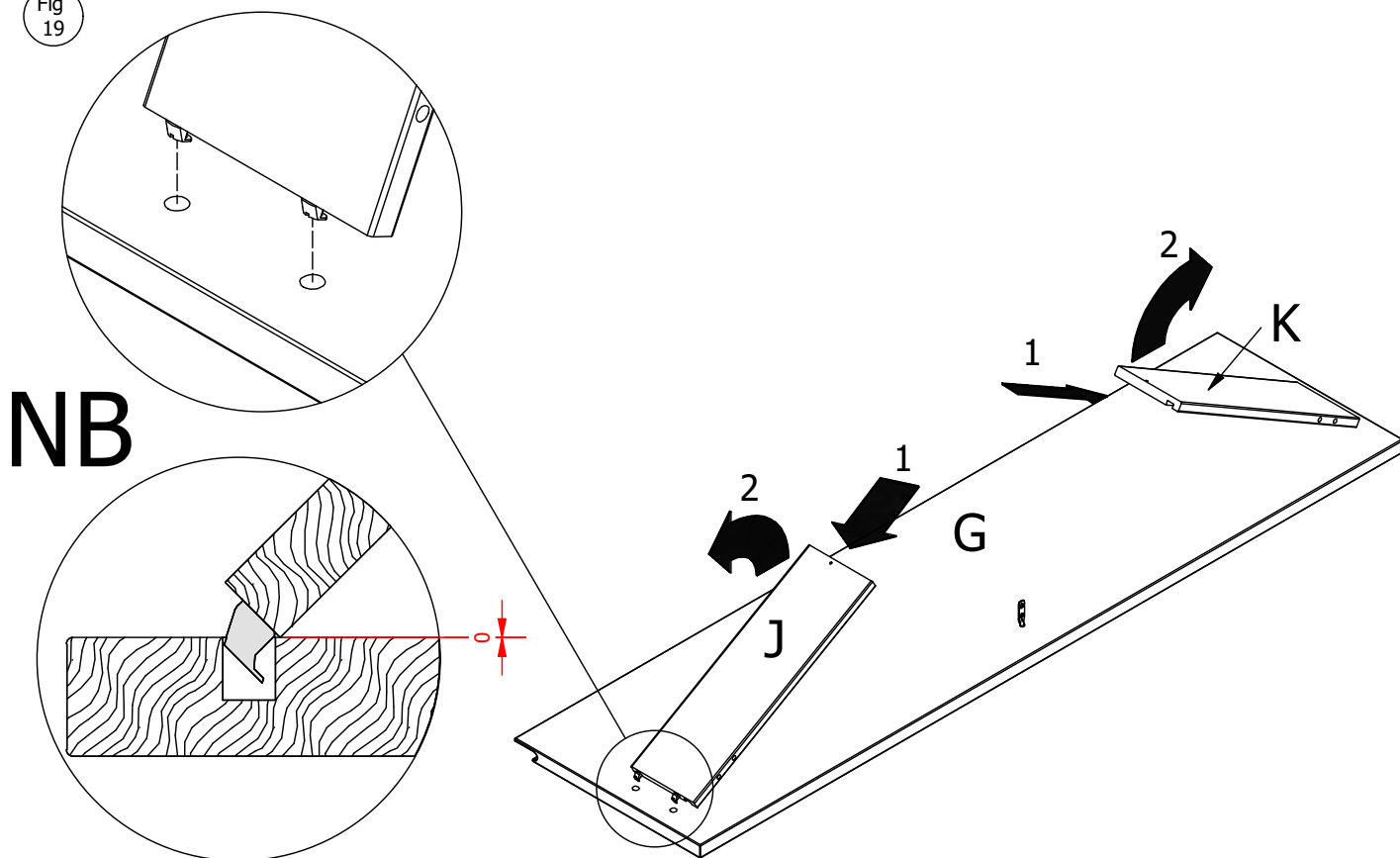


Fig 20

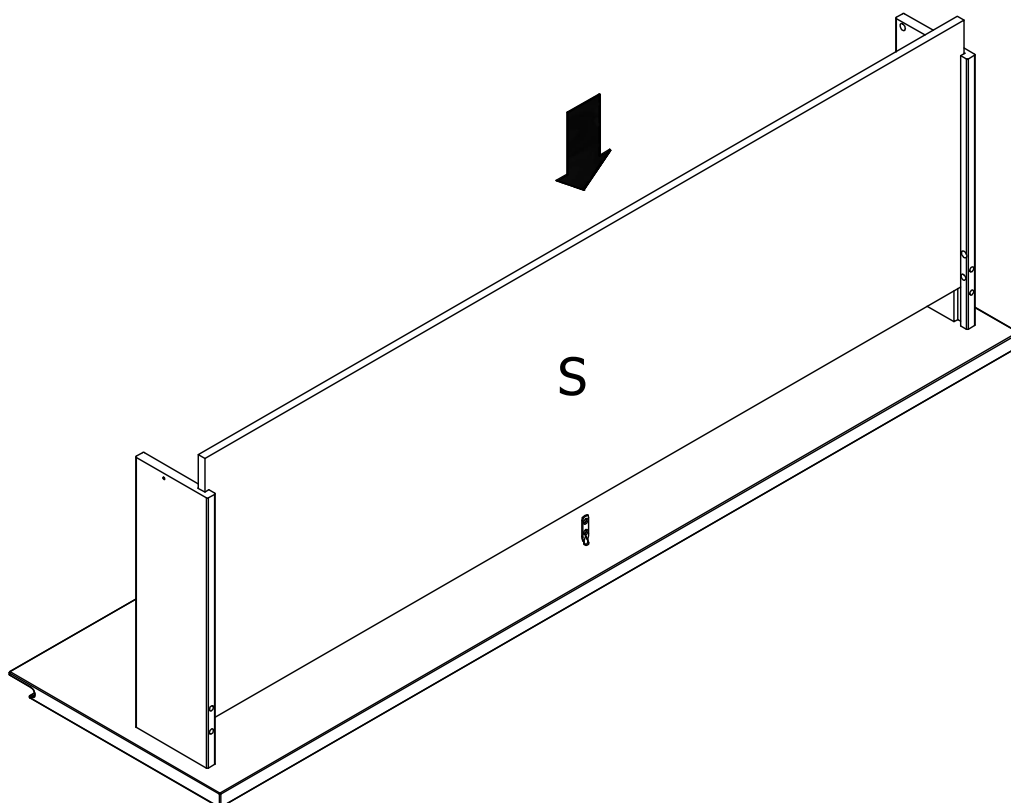


Fig 21

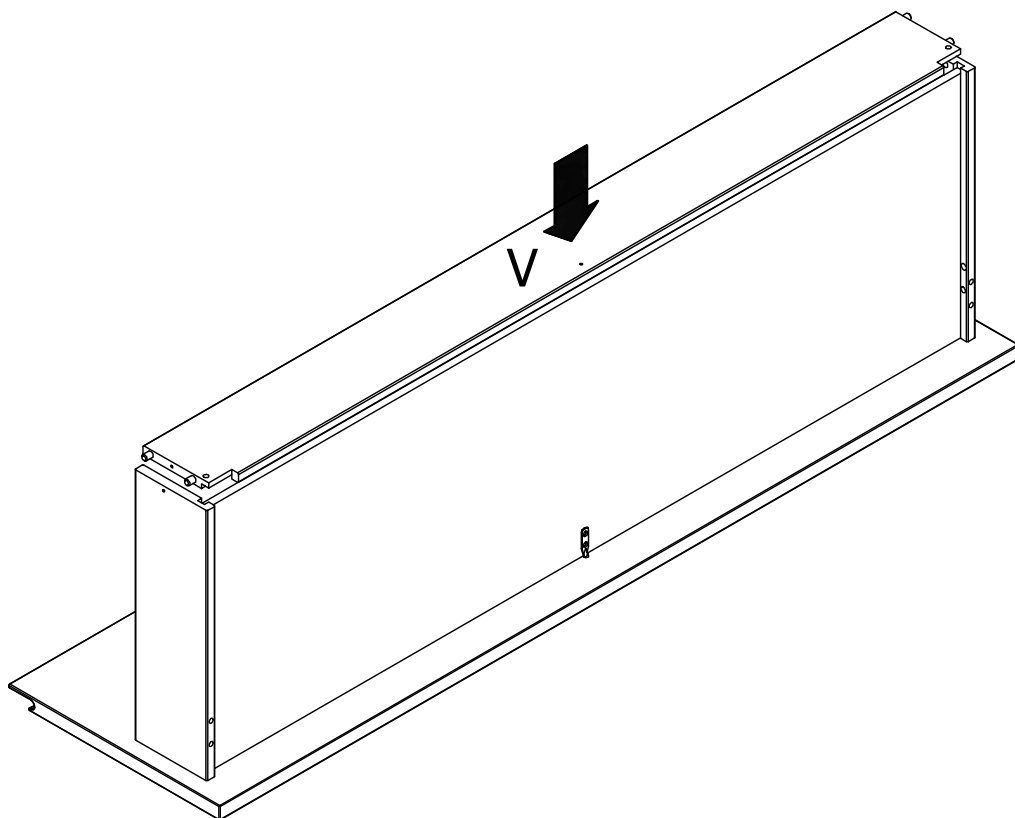


Fig 22

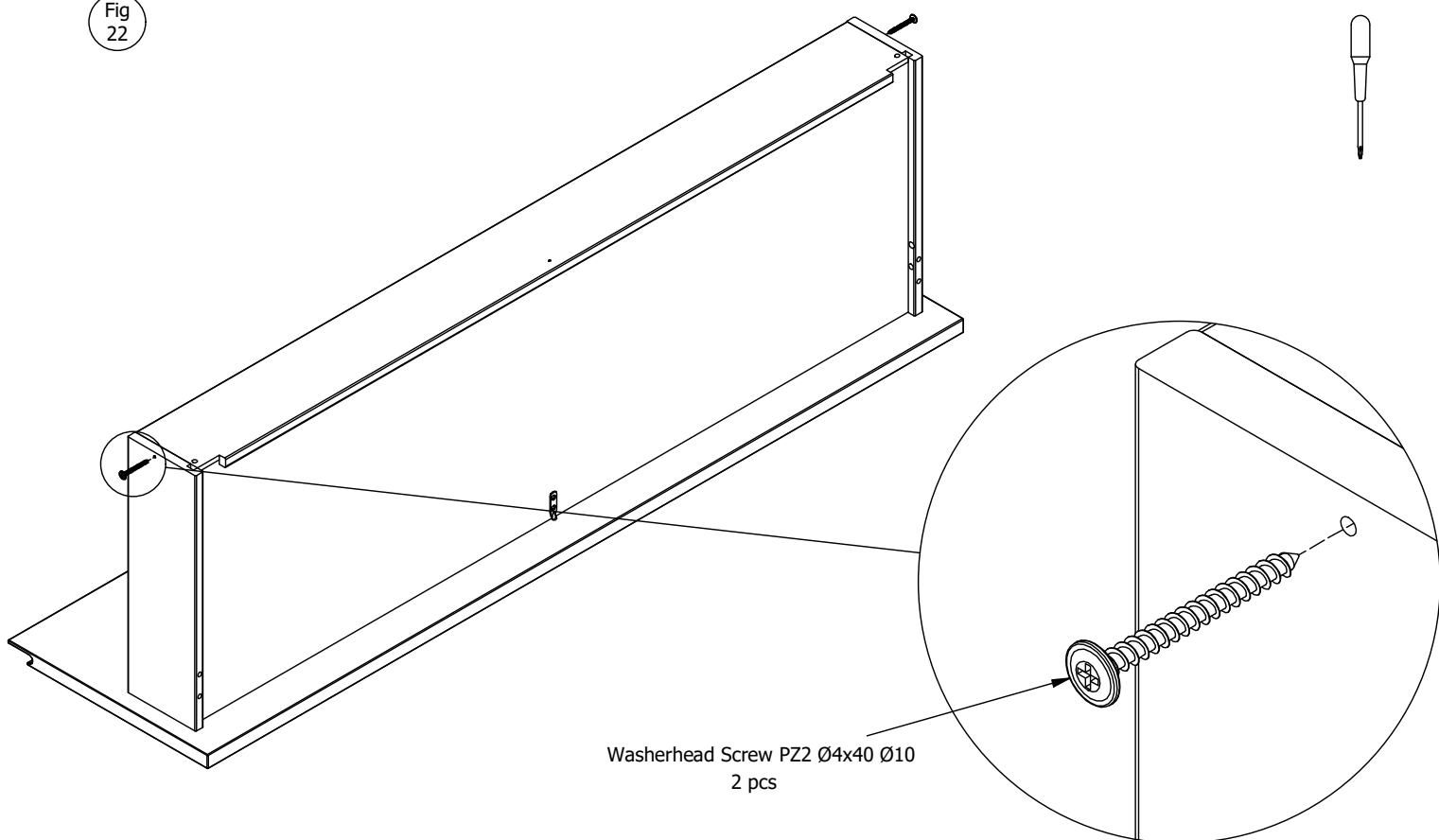


Fig 23

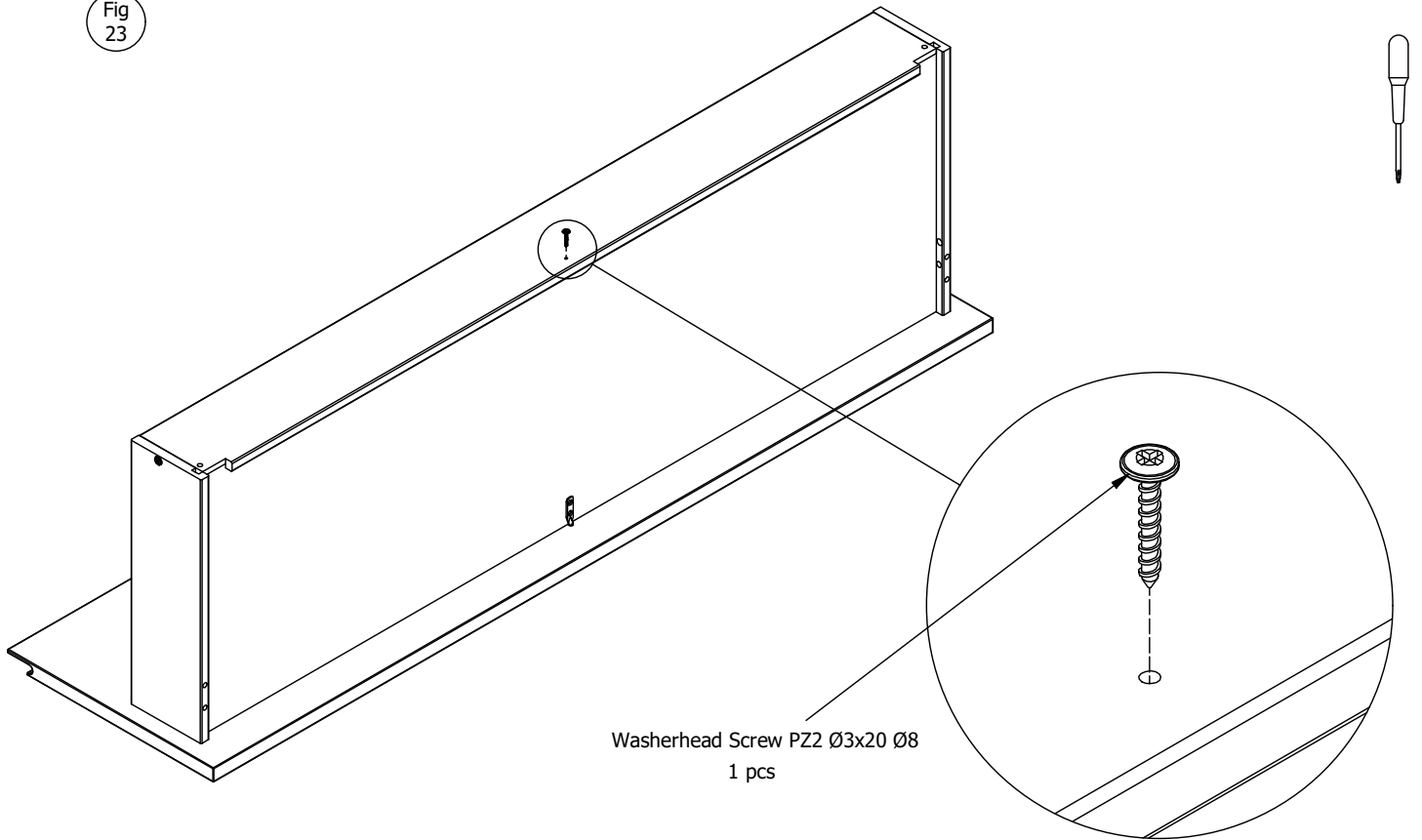
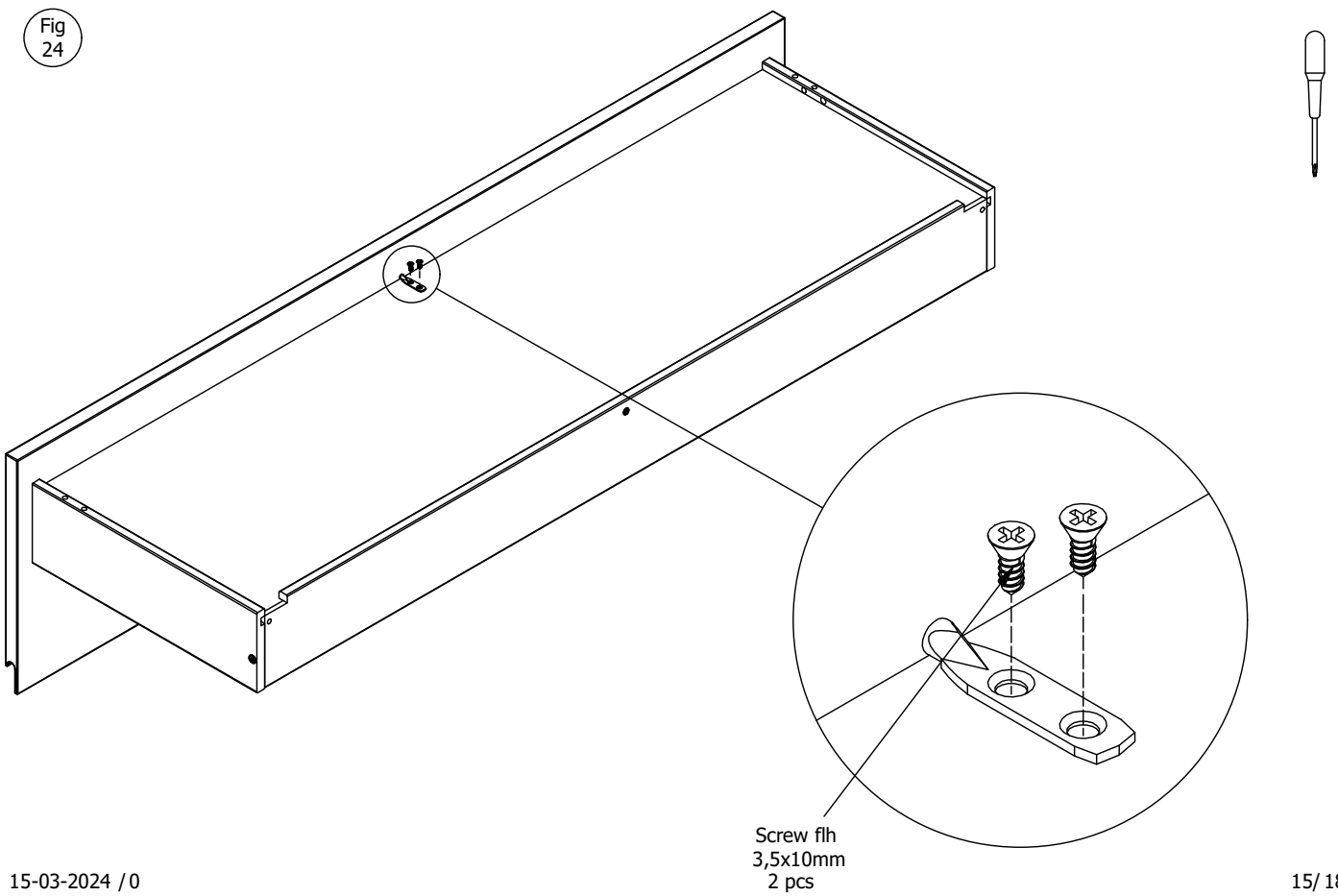


Fig 24



NB

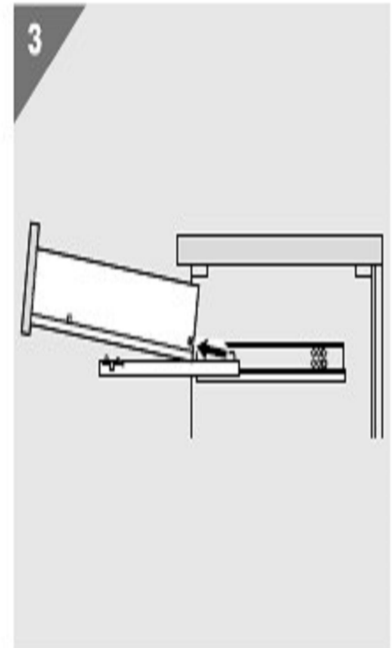
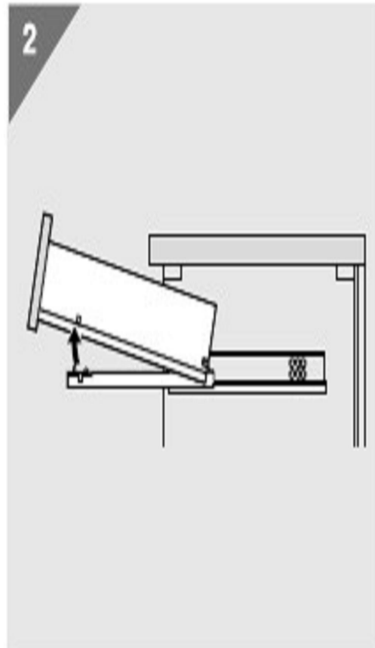
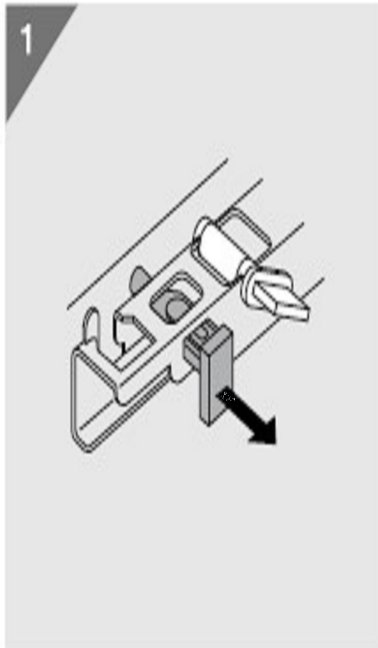
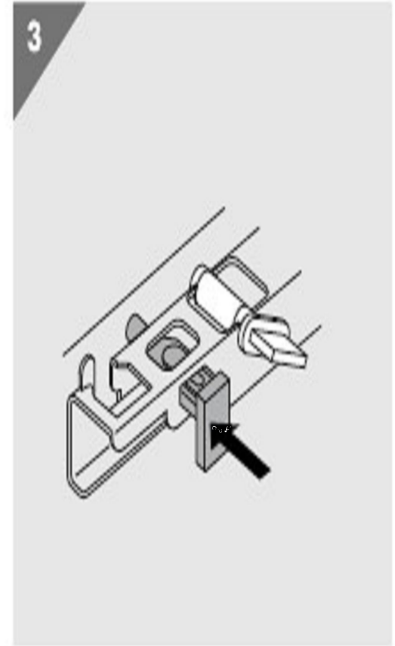
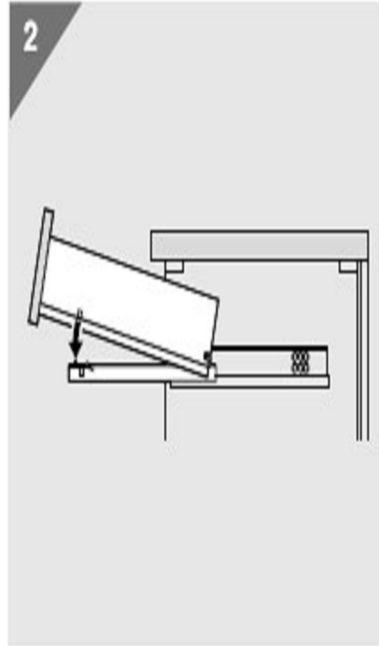
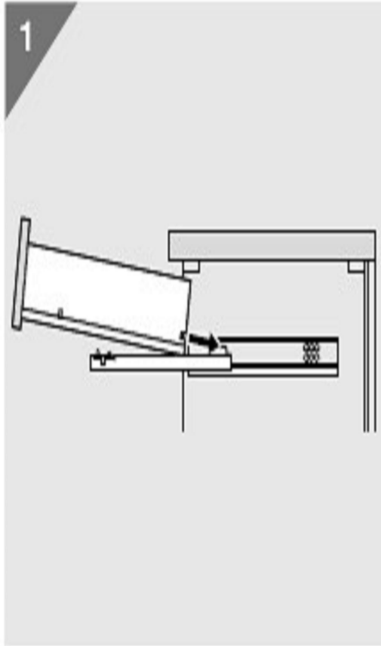


Fig 25

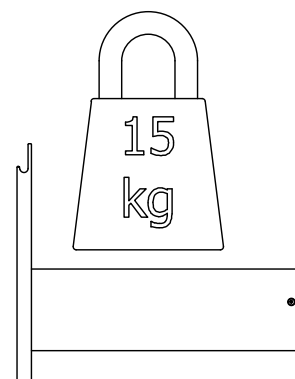
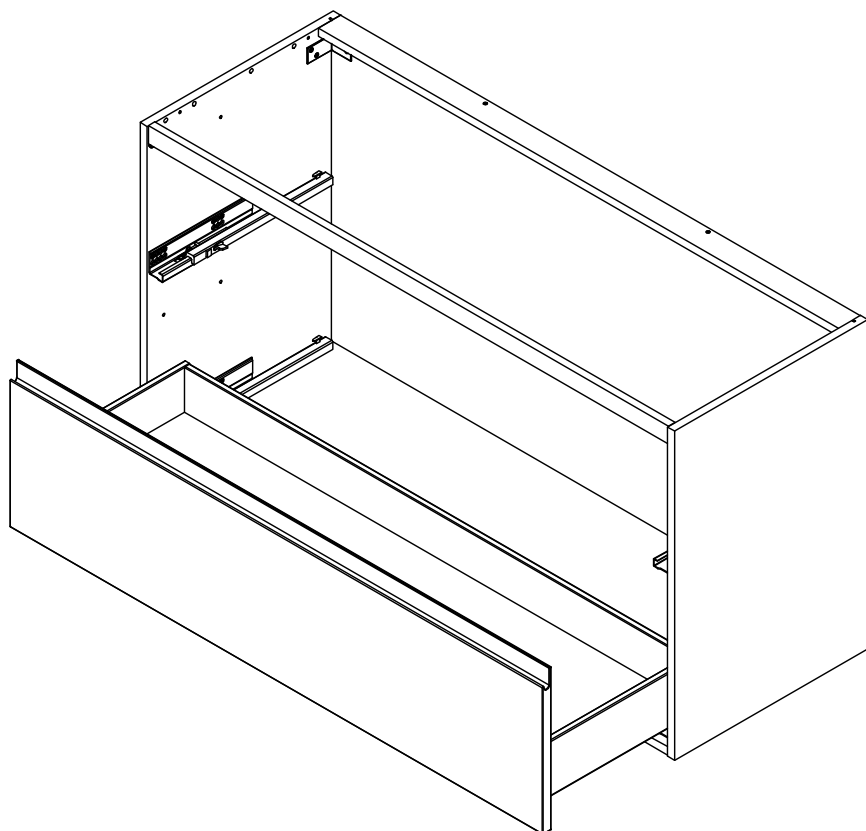
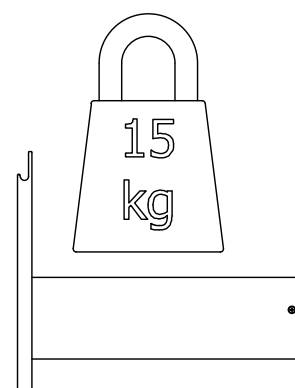
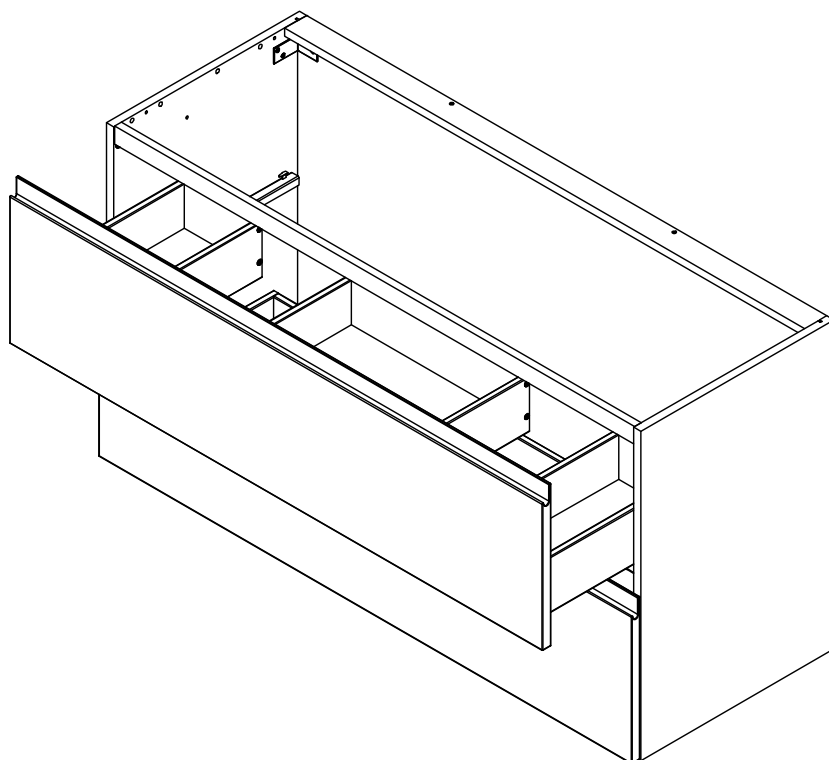
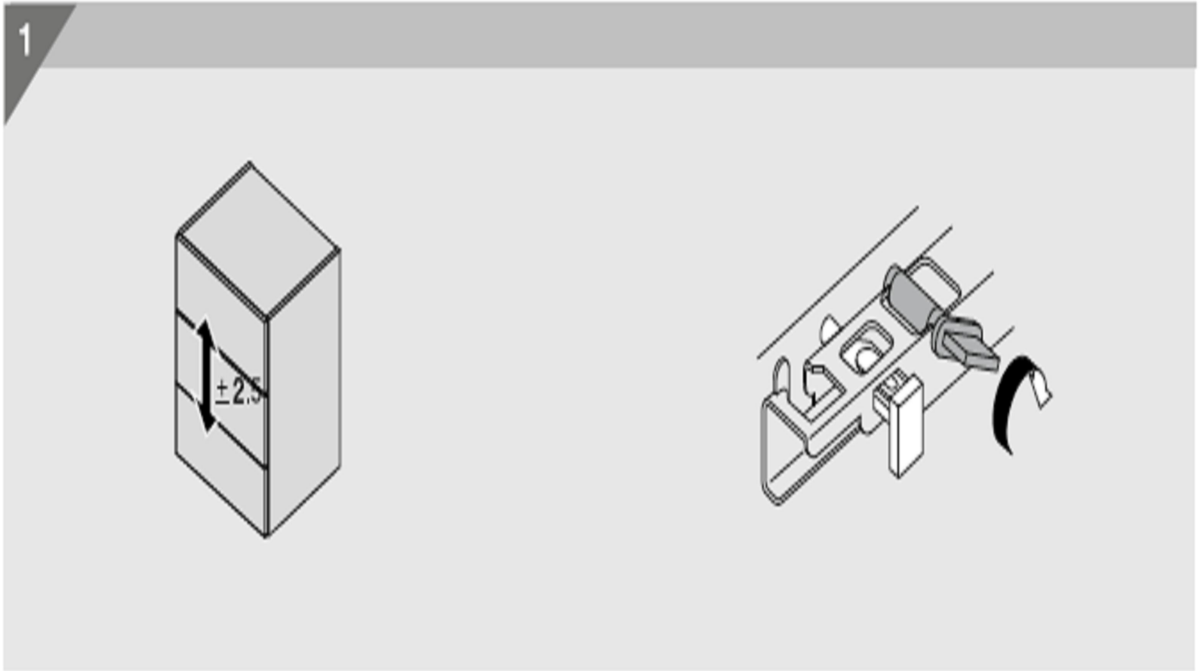


Fig 26



Adjustable



Installation, please read instruction BP00250 Hang up

